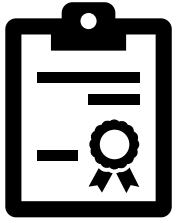


# nurplast92



**PLASTIC PLUG & PLASTIC CAPS**



# contents



-for us



-what are we doing



-products



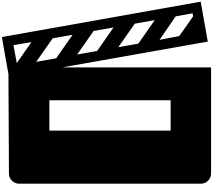
-photos



-let meet us



# who are we?



As Nurplast92 PlasticManufact. Marketing. Trd. Ltd. Co;

since 1982

taking its power from teamwork, we are a team that sets  
out to produce.

we are working hard to provide quality and timely service  
at competitive prices.

apart from our own product portfolio, our company,  
which serves as a sub-industry, becomes a solution  
partner for you.

we would like to see you among us on this road...



# what are we doing ?



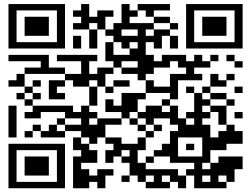
produce,

sub-industry,

design,

solution partnership,





# products...

small details of big projects;

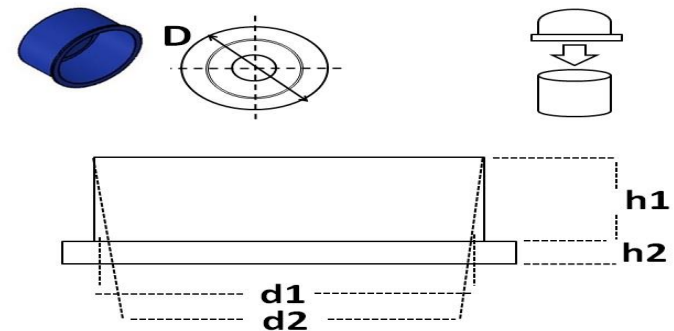
plastik plugs & caps

- 1- plastic plug
  - 2- plastic caps
  - 3- pipe plug
  - 4- screw plug
  - 5- pull tab plug
  - 6- fan coil plug
  - 7- nut cover
  - 8- greaser plug
  - 9- turbo hose plug
  - 10-custom manufacturing
- X- for more information, you can visit our webiste by scanning the QR code.





# plastic cap



UNIT			DIMENSIONS				
BSP	DN	METRIK(M)	ØD	Ød1	Ød2	h1	h2
R 1/8"	6	M10X1,5	13,80	9,90	9,50	7,30	1,60
R 3/8"	-	-	22	16,50	16,30	8,5	1,5
R 1/2"	15	M22	25,50	20,80	20,70	16,80	1
R 5/8"	-	M24	28,60	22,50	21,50	10,40	2
R 3/4"	20	-	31,50	26,30	26,10	16,60	1
R 1"	25	-	39	32,70	32,30	15,85	1
R 1 1/4"	32	-	48	41,65	41,50	16,60	1,20
R 1 11/16"	-	-	48,80	42,30	40,90	15,90	1,72
R 1 1/2"	40	-	52	47,80	47,60	16	2
R 2"	50	-	65	60,20	59,60	16,70	2

RAW MATERIALS : POLIETILEN

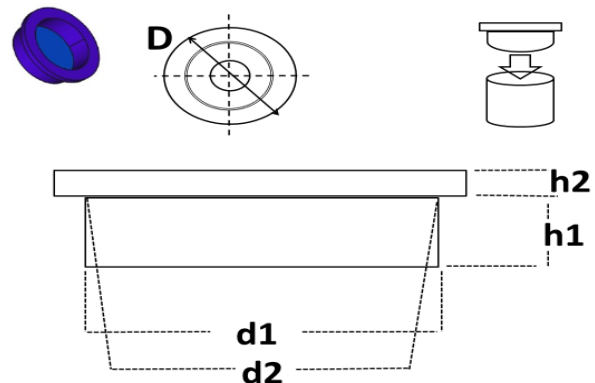
COLOR OPTIONS : OPTIONAL

YOU CAN CONTACT US FOR DIFFERENT RAW MATERIAL AND COLOR.





# plastic plug



UNIT	DIMENSIONS				
BSP	ØD	Ød1	Ød2	h1	h2
R 1/4"	13,80	11,50	11,80	7,30	1,60
R 1/2"	23,30	19,40	19,20	5,60	1,5
R 3/4"	27,70	24,75	24,60	5,80	1,3
R 1"	35,80	31,60	31,35	8,95	1,1
R 1 1/4"	51	39,60	39,80	6,20	2,5
R 1 1/4"	46,30	40,60	40,90	7,40	1,15
R 1 1/4"	46,60	41,30	41,15	6,70	1,70
R 1 1/2"	51,10	45,35	45,80	5,90	2,20
R 2"	70,50	57,80	57,40	6	2,6

RAW MATERIALS : POLIETILEN

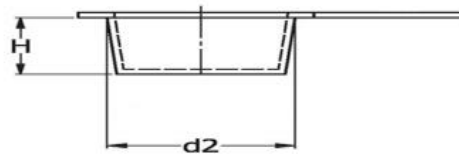
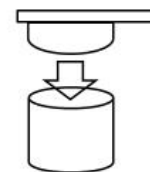
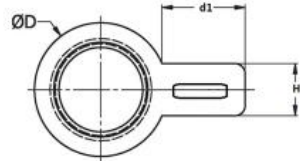
COLOR OPTIONS : OPTIONAL

YOU CAN CONTACT US FOR DIFFERENT RAW MATERIAL AND COLOR.





# pull tab plug



UNIT	DIMENSIONS			
BSP	ØD	d1	Ød2	H
R 3/4"	28	7,80	26,40	5,70

RAW MATERIALS : POLIETILEN

COLOR OPTIONS : OPTIONAL

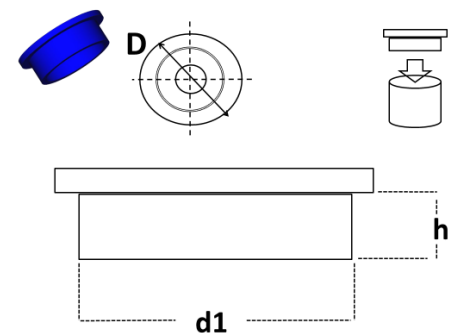
YOU CAN CONTACT US FOR DIFFERENT RAW MATERIAL AND COLOR.







# pipe plug



DIMENSIONS		
Ød1	ØD	h1
Ø5	Ø7	5,60
Ø7	Ø10,70	10,90
Ø8	Ø12,8	5,50
Ø8,5	Ø12,8	3,80
Ø10	Ø14,50	5,80
Ø10,5	Ø15,40	9
Ø12	Ø15,80	6,50
Ø14	Ø17,70	7,70
Ø16	Ø19,30	7,50
Ø18	Ø21,70	7,50
Ø20	Ø23,50	6,70
Ø22	Ø25,10	6,50
Ø24	Ø29,30	7,50
Ø30	Ø38,90	9,80
Ø35	Ø39,40	9,20

RAW MATERIALS : POLIETILEN - PVC

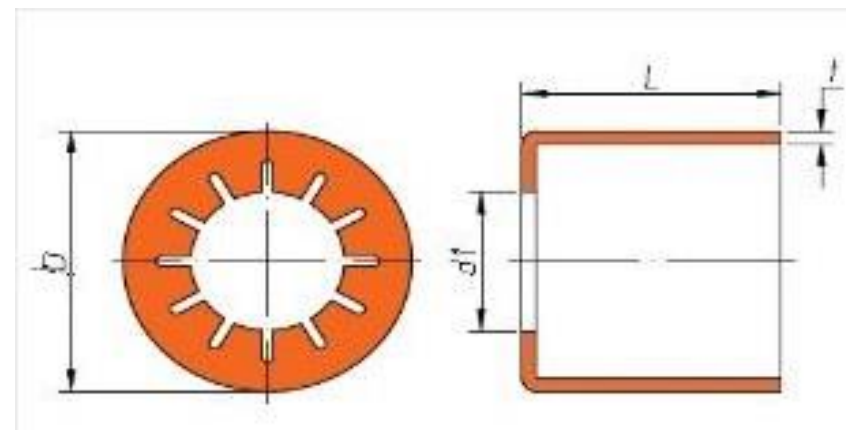
COLOR OPTIONS : OPTIONAL

YOU CAN CONTACT US FOR DIFFERENT RAW MATERIAL AND COLOR.





# fan coil plug



UNIT	DIMENSIONS			
BSP	$\varnothing D$	$\varnothing d1$	L	t
R 1/2"	34,60	17,60	24,65	1,45
R 3/4"	39,25	21,85	24,90	1,45
R 1"	45,50	27,85	24,75	1,45

RAW MATERIALS : POLIETILEN

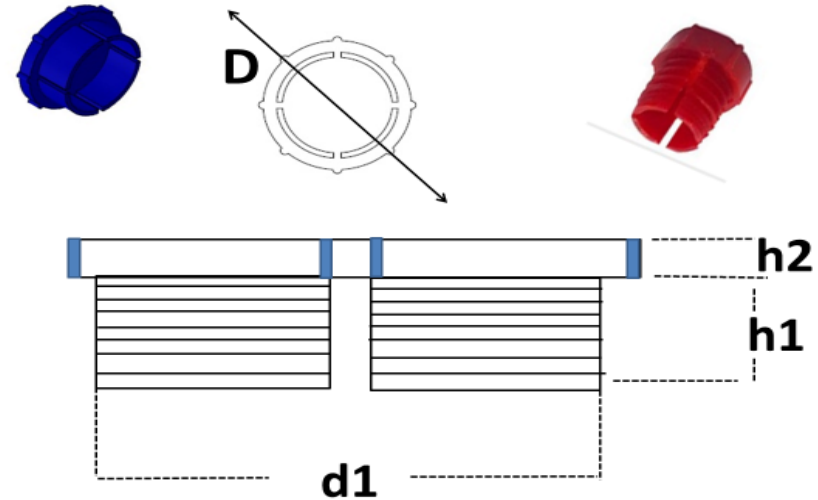
COLOR OPTIONS : OPTIONAL

YOU CAN CONTACT US FOR DIFFERENT RAW MATERIAL AND COLOR.





# screw plug



DIMENSIONS				
UNIT	Ø d1	Ø D	h1	h2
BSP	1/2"	25,90	10	5
BSP	3/4"	32,50	10	5
BSP	1"	42,60	10	5
METRIK	M18x1,5	25,90	10	5
METRIK	M22x1,5	25,90	10	5

RAW MATERIALS : POLIETILEN

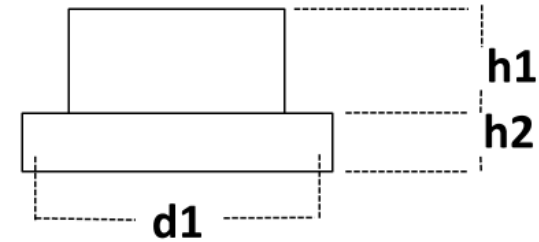
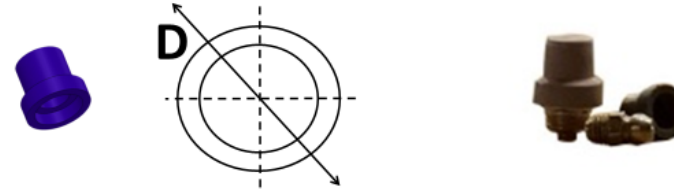
COLOR OPTIONS : OPTIONAL

YOU CAN CONTACT US FOR DIFFERENT RAW MATERIAL AND COLOR.





# grease plug



## DIMENSIONS

$\varnothing D$	$\varnothing d1$	h1	h2
14	12,20	3,95	9,55
11	8	3,90	4,60

RAW MATERIALS : PVC

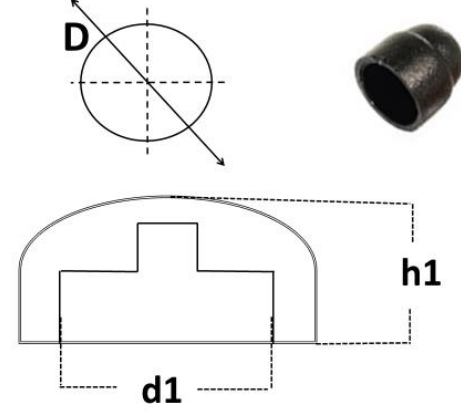
COLOR OPTIONS : OPTIONAL

YOU CAN CONTACT US FOR DIFFERENT RAW MATERIAL AND COLOR.





# nut cover



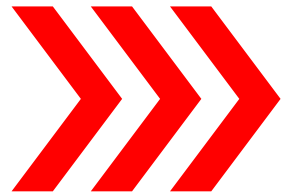
## DIMENSIONS

METRİK	Ø D	d1	h1
M6	12,70	11	12
M8	17	14	15
M10	21,50	18,90	18,50
M12	23,30	21,30	21,40

HAMMADDE : POLIETİLEN

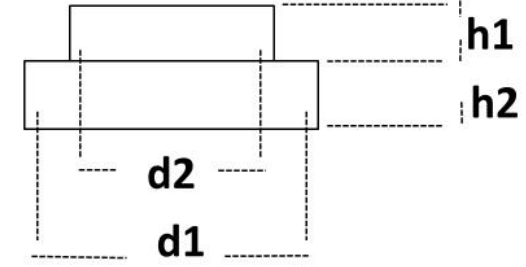
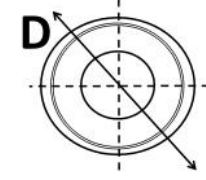
RENK SEÇENEĞİ : OPSİYONEL

FARKLI HAMMADDE VE RENK İÇİN BİZİMLE İRTİBATA GEÇEBİLİRSİNİZ.





# turbo hortum tapası

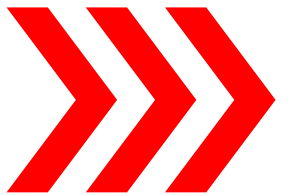


<b>ÖLÇÜLER</b>				
$\varnothing D$	$\varnothing d1$	$\varnothing d2$	<b>h1</b>	<b>h2</b>
50	47,55	38,45	8,70	20,8

RAW MATERIALS : POLIETILEN

COLOR OPTIONS : OPTIONAL

YOU CAN CONTACT US FOR DIFFERENT RAW MATERIAL AND COLOR.





# custom manufacturing



**IN ACCORDANCE WITH OUR CUSTOMERS' REQUESTS, SPECIAL PLASTIC CAP AND COVER PRODUCTION CAN BE MADE. CONTACT FOR DETAILS.**





photos...







# let meet us



CEVİZLİ MAHALLESİ SARMAŞIKLI SOKAK NO:1P  
MALTEPE/İSTANBUL



0216 441 02 64 / 0535 760 32 70



[www.nurplast92.com.tr](http://www.nurplast92.com.tr)



[info@nurplast92.com.tr](mailto:info@nurplast92.com.tr)



Nurplast92

